

KÄRCHER

makes a difference

WD 1



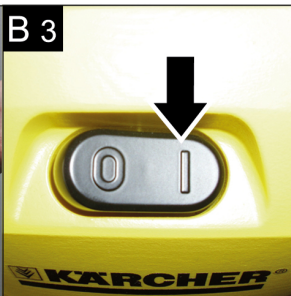
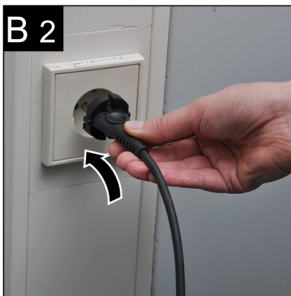
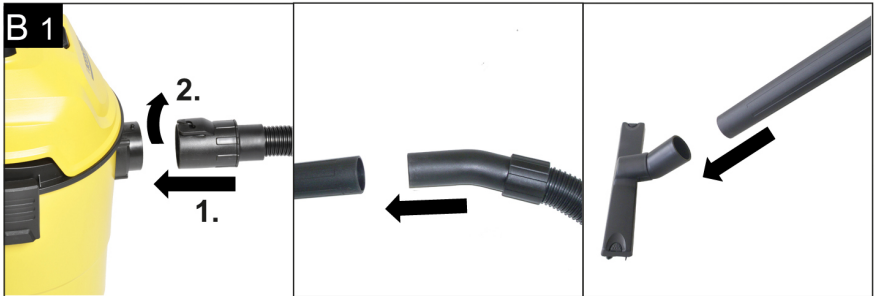
中文	5
English.....	10
Español.....	16
العربية	29
ไทย	30

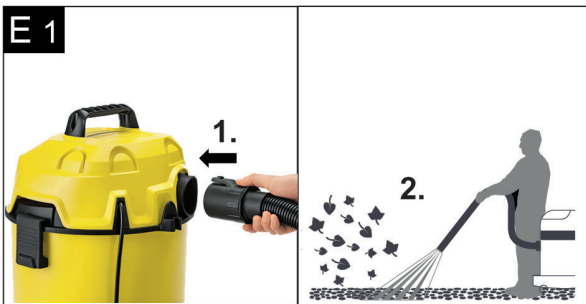


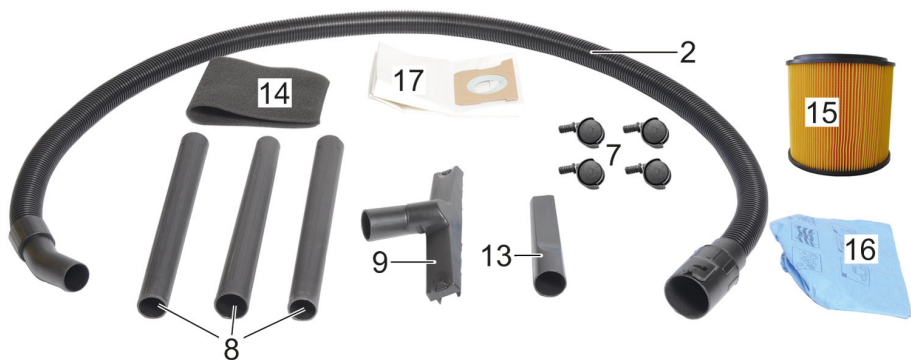
**Register
your product**
www.kaercher.com/welcome



59657760 (02/19)







目录

一般提示:	ZH . . . 5
安全说明	ZH . . . 5
设备说明	ZH . . . 6
操作说明	ZH . . . 7
保养与维护	ZH . . . 8
故障排除	ZH . . . 8
产品规格 / 参数	ZH . . . 9

亲爱的客户:



在您初次使用本产品前, 请仔细阅读本说明书, 并请妥善保存以便日后查阅。

一般提示:

合乎规定的使用

根据本操作说明书中所作的描述和安全提示, 本吸尘器用作多功能吸尘器。该设备开发用于私家用途, 并非设计满足工商业使用要求。

- 防止机器受到雨淋。不要存放在室外区域内。
- 不得使用本设备抽吸灰烬和碳黑。

本多功能吸尘器只使用:

- 原配过滤器袋。
- 原配备件、附件或选装配件。

对于由于执行未规定的使用或错误的操作造成的可能的损失, 制造商将不承担任何责任。

环境保护



包装材料可以回收利用。请不要把包装材料与普通垃圾放在一起处理, 而应妥善安排回收。



旧的设备中含有宝贵的可再利用的材料, 应加以回收利用。请通过适当的收集系统处理您的旧设备。

清理过滤器和过滤器袋

过滤器和过滤器袋由环保材料制成。如果被抽吸进去的物质并非生活垃圾所禁止的物质, 则可作为正常的生活垃圾进行清理。

内部材料提示 (REACH)

最新的内部材料信息请您在如下链接中查找:

www.kaercher.com/REACH

质量保证

我们在各国的经销商已经公布了各国相应的质量保证条款。在质量保证期内, 如果您的产品发生了任何故障, 我们都将为您提供免费维修, 但是这种故障应当是由于机身材料或制造上的缺陷造成的。请您向经销商或者与您距离最近的经过授权的客户服务处联系, 提出保修请求, 并提供相应的产品购买证明文件。

客户服务

如有疑问或产生故障, 我们 KARCHER 公司的分公司将乐于继续帮助您。

订购备件和选装配件

在说明书的结尾部分您可以找到精选的最频繁需要的备件。向贵方经销商或向贵处 KARCHER 公司分公司购买备件和附件。

安全说明

- 本设备不得让那些身体能力有限、感官能力弱或理解能力差或者缺乏经验和 / 或缺乏知识的人员使用, 除非他们有专人监督或接受专人指导如何操作设备并了解其可能产生的危险。
- 超过 8 岁的孩子在有监护人监督或获得使用设备的指导并了解其可能产生的危险的前提下可以使用该设备。
- 儿童不得玩耍本设备。
- 照看好儿童, 以确保他们不用设备玩耍。
- 儿童未受看管不得进行清洁和用户保养。
- 让儿童远离包装薄膜, 否则会有窒息危险!
- 在每次使用后和在每次清洁 / 保养前关闭设备。
- 存在火灾危险。不抽吸正在燃烧或尚有余烬的物品。

- 禁止在存在爆炸危险的空间内运行本设备。

△ 电气接口

本设备只能连接交流电源。电压必须满足设备铭牌上的数据要求。

△ 存在电击危险

请勿用湿手接触插头和插座。不要通过拉动电线将电源插头从插座上拔下。

每次使用前检查电线包括电源插头是否受损。损坏的连接导线应立即让已授权的客户服务人员 / 电气专业人员进行更换。

为了避免发生触电事故，我们建议使用前面带漏电保护开关的插座（最大额定触发电流强度为 30 mA）。

△ 警告

某些物质在被吸入空气搅动时，可能会生成爆炸性气体或混合物！

不得使用本设备清扫以下物质：

- 易燃易爆的气体、液体和粉尘（反应性粉尘）
- 与高碱性或高酸性洗涤剂相化合的活性金属颗粒（比如铝、锰、锌等）
- 未经稀释的强碱和强酸
- 有机溶剂（比如汽油、涂料稀释剂、桉酮、民用燃料油等）。

另外，上述物质也会造成设备材料腐蚀。

说明书中的符号

△ 危险

即刻引发威胁的危险，致使身体严重伤害或死亡。

△ 警告

潜藏的危险情况，可能致使身体严重伤害或死亡。

△ 注意

潜藏的危险情况，可能致使身体轻微伤害或损伤。

设备说明

图片参见折叠式插页！

该设备发货时提供两种规格。



- 使用过滤袋。

- 使用过滤筒。

在打开产品包装的同时，请确认设备附件没有缺失，箱内物品没有损坏。如果您发现运输途中造成损坏，请联系经销商。

1 抽吸软管接头

图 B 1

→ 为了吸尘时吸尘软管的连接。

2 吸尘软管使用手柄

图 B 1

→ 将吸尘软管转动到吸尘软管接头上（旋钮式连接）。

3 污物桶封罩

图 A 1

→ 向外拉即可打开，向内按即可关上。

4 设备开关（开 / 关）

图 B 3

位置 I：吸或吹。

位置 0：设备已关闭。

5 机头配件卡座

该配件卡座可保管机头的吸嘴。

6 手柄

图 A 1

→ 解锁后，移动吸尘器或取下机头。

7 可旋转脚轮

图 A 1

→ 交货时转向轮安置在桶内，调试前进行安装。

8 抽吸管 (3x)

图 B 1

→ 将抽吸管插在一起并与吸尘软管连接。

9 地面吸嘴

图 B 1

湿式和干式抽吸时使用地面吸嘴。

10 吹气接头

图 E 1

→ 吸尘软管插入吹气接头，从而激活吹气功能。

11 电线挂钩

图 F 2

参见第 37。

→ 存放电源连接导线。

12 电源线

13 缝隙吸嘴

用于边角、缝隙、加热器和难以接触到的区域。

14 泡沫剂过滤器

图 C 1

→ 湿式抽吸时，将泡沫剂过滤器从过滤袋上拔出。

提示：注意泡沫剂过滤器是否固定定位。

15 套筒式过滤器 (视配置情况)

图 D 1

→ 抽吸粗大的污物时，使用过滤筒。

16 过滤袋 (视配置情况)

图 D 1

→ 抽吸粗大的污物时，使用过滤袋。

提示：安装过滤袋时，请注意过滤袋不要未经过滤就吸入空气。

17 过滤器袋

图 A 2

图 D 2

提示：进行湿式抽吸时不得使用过滤袋！

→ 推荐：抽吸尘埃须使用过滤袋。
可使用过滤袋稍微地处理下吸入的灰尘。

操作说明

△ 注意

湿式抽吸时，始终使用内置的泡沫剂过滤器进行工作。

干式抽吸时，始终使用内置的过滤袋或过滤筒进行工作。

设备启动前

图 A 1

→ 使用设备前，请按图示将部件组装好。

调试

图 B 1

→ 连接附件

图 B 2

→ 插上电源。

图 B 3

→ 启动设备。

干式抽吸

△ 注意

使用前检查过滤器是否受损，如有必要进行更换。

图 A 2

→ 推荐：抽吸尘埃须使用过滤袋。

过滤袋提示

- 过滤器袋的充满度取决于所抽吸的污物。
- 如污物系尘埃、砂子等，则必须经常更换过滤器袋。
- 添加的过滤袋可能被胀破，为此须及时更换过滤袋！

△ 注意

仅使用预分离器抽吸冷灰烬。

基本款订单编号：2. 863-139. 0，优质款：
2. 863-161. 0。

湿式抽吸

⚠ 警告

一旦形成泡沫或发生液体泄漏，则立即关闭吸尘器或拔下电源插头！

不使用过滤器袋！

提示：一旦污物桶已满，浮球即关闭抽吸口并且设备高速运转。此时，请立即关闭设备并清空贮灰桶。

→ 湿式抽吸时，将泡沫剂过滤器从过滤袋上拔出。

提示：注意泡沫剂过滤器是否固定定位。

吹气功能

清洁难以够到的位置或不可能抽吸到的地方，例如砾石花坛里的树叶。

图 E1

→ 吸尘软管插入吹气接头，从而激活吹气功能。

中断运行

→ 关闭设备。

结束运行

→ 关闭设备并拔下电源插头。

清空桶

图 F1

参见第 37。

→ 取下机头并将桶清空。

吸尘器保管

图 F2

参见第 37。

→ 将电源连接导线和配件整齐放在设备上。设备保管在干燥的室内。

保养与维护

⚠ 危险

在对设备进行维修与维护之前，必须关闭设备并拔下电源插头。只能由经过授权的客户服务中心维修。

⚠ 警告

不使用去污剂、玻璃清洁剂或全能清洁剂！从不将设备浸泡在水中。

→ 使用商店可买到的塑料清洁剂维护设备和塑料附件。

→ 需要时用水冲洗桶和附件并在继续使用前将其干燥。

图 G1

参见第 37。

→ 视需要仅将泡沫剂过滤器置于自来水下清洗，不要擦干或刷洗。在安装前完全干燥。

故障排除

吸尘功率减弱

一旦吸尘器功率减弱，则请检查下列各项要点。

图 B1

→ 附件、吸尘软管或抽吸管堵塞，请用木棍清除堵塞物。

图 A2

→ 过滤袋已满，装入新的过滤袋。

图 G1

参见第 37。

→ 用自来水清洗泡沫剂过滤器，安放前将其干燥。

→ 过滤袋变脏，将过滤袋拍干净。

→ 过滤筒变脏，将过滤筒拍干净。

→ 更换坏的套筒式过滤器。

产品规格 / 参数

	1.098-300.0 1.098-304.0 1.098-306.0	1.098-303.0	1.098-305.0	
电源电压	220 - 240	220	120-127	V
频率	1~50/60	1~50	1~50/60	赫兹
污物桶体积	15			l
手柄的吸水性	9,0			l
地面吸嘴的吸水性	6,0			l
功率 P _{额定}	1000	900	1200	瓦
电源线	H 05VV-F2x0,75	53RVV 2x0,75	SJTW-16AWG-2C 105° C	
重量 (不含附件)	3,8			千克
声压电平 (EN 60704-2-1)	75		77	A 级分贝

规格若有变更，恕不另行通知。

Contents

General notes	EN . . . 5
Safety instructions	EN . . . 6
Description of the Appliance	EN . . . 7
Operation	EN . . . 8
Maintenance and care	EN . . . 9
Troubleshooting	EN . . . 9
Technical specifications	EN . . . 10

Dear Customer,



Please read and comply with these original instructions prior to the initial operation of your appliance and store them for later use or subsequent owners.

General notes

Proper use

In accordance with the descriptions and the safety information in these operating instructions the appliance is intended for use as a multi-purpose vacuum cleaner.

This appliance has been designed for use in private households and is not intended for commercial use.

- Protect the unit from rain. Do not store outside.
- This device may not be used to suck in ash and soot.

Use the multi-purpose vacuum cleaner only with:

- Original filter bag.
- Original spare parts, accessories and special accessories.

The manufacturer is not responsible for any damages that may occur on account of improper use or wrong operations.

Environmental protection



The packaging material can be recycled. Please do not place the packaging into the ordinary refuse for disposal, but arrange for the proper recycling.



Old appliances contain valuable materials that can be recycled. Please arrange for the proper recycling of old

appliances. Please dispose your old appliances using appropriate collection systems.

Disposing the filters and filter bags

Filters and filter bags are made from environment-friendly materials.

They can therefore be disposed off through the normal household garbage provided you have not sucked in substances that are not permitted to be thrown into household garbage.

Notes about the ingredients (REACH)

You will find current information about the ingredients at:

www.kaercher.com/REACH

Warranty

The terms of the guarantee applicable in each country have been published by our respective national distributors. We will repair possible faults on your unit free of charge within the warranty period, insofar as the faults are caused by material defects or defective workmanship. Guarantee claims should be addressed to your dealer or the nearest authorized customer service centre, and supported by documentary evidence of purchase.

Customer Service

Our KÄRCHER branch will be pleased to help you further in the case of questions or faults.

Ordering spare parts and special attachments

At the end of the operating instructions you will find a selected list of spare parts that are often required.

You can procure the spare parts and the attachments from your dealer or your KÄRCHER branch office.

Safety instructions

- *This appliance is not intended for use by persons with limited physical, sensory or mental capacities or lacking experience and/or skills, unless such persons are accompanied and supervised by a person in charge of their safety or they have received precise instructions on the use of this appliance and have understood the resulting risks.*
 - *Children may only use this appliance if they are over the age of 8 and supervised by a person in charge of their safety, or if they have received instructions on the use of this appliance and have understood the resulting risks.*
 - *Children must not play with this appliance.*
 - *Supervise children to prevent them from playing with the appliance.*
 - *Cleaning and user maintenance must not be performed by children without supervision.*
 - *Keep packaging film away from children - risk of suffocation!*
 - *Switch the appliance off after every use and prior to every cleaning/maintenance procedure.*
 - *Risk of fire. Do not vacuum up any burning or glowing objects.*
 - *The appliance may not be used in areas where a risk of explosion is present.*
- △ **Electrical connection**
The appliance may only be connected to alternating current. The voltage must correspond with the type plate on the appliance.
- △ **Risk of electric shock**
Never touch the mains plug and the socket with wet hands. Do not pull the plug from the socket by pulling on the connecting cable. Check the power cord with mains plug for damage before every use. If the power cord is damaged, please arrange immediately for the exchange by an authorized customer service or a skilled electrician. To avoid accidents due to electrical faults we recommend the use of sockets with a line-side current-limiting circuit breaker (max. 30 mA nominal tripping current).
- △ **Warning**
Certain materials may produce explosive vapours or mixtures when agitated by the suction air! Never vacuum up the following materials:
- *Explosive or combustible gases, liquids and dust particles (reactive dust particles)*
 - *Reactive metal dust particles (such as aluminium, magnesium, zinc) in combination*

with highly alkaline or acidic detergents

- *Undiluted, strong acids and alkalis*
- *Organic solvents (such as petrol, paint thinners, acetone, heating oil).*

In addition, these substances may cause the appliance materials to corrode.

Symbols in the operating instructions

⚠ Danger

Immediate danger that can cause severe injury or even death.

⚠ Warning

Possible hazardous situation that could lead to severe injury or even death.

⚠ Caution

Possible hazardous situation that could lead to mild injury to persons or damage to property.

Description of the Appliance

Illustrations on fold-out page!

Two models of this appliance are offered.



- With filter bag.
- With cartridge filter.

When unpacking the product, make sure that no accessories are missing and that none of the package contents have been damaged. If you detect any transport damages please contact your dealer.

1 Suction hose connection

Illustration **B 1**

- To connect the suction hose during vacuuming.

2 Suction hose with handle

Illustration **B 1**

- Insert the suction hose into the suction hose connection (bayonet lock).

3 Container closure

Illustration **A 1**

- Pull out to open, push in to lock.

4 ON/OFF switch for appliance

Illustration **B 3**

Position I: Suction or blowing

Position 0: Appliance is switched off

5 Accessory compartment, appliance head

This accessory compartment allows the storage of suction nozzles on the appliance.

6 Carrying handle

Illustration **A 1**

- To carry the appliance or to remove the appliance head after unlocking.

7 Swivel casters

Illustration **A 1**

- The steering rollers are located in the compartment when the appliance is delivered. These must be attached prior to starting up the appliance.

8 Suction pipes (3x)

Illustration **B 1**

- Put the suction pipes together and connect with suction hose.

9 Floor nozzle

Illustration **B 1**

Floor nozzle with insert for wet and dry vacuum cleaning

10 Blowing connection

Illustration **E 1**

- Connect the suction hose to the blower connection, this will activate the blower function.

11 Cable hook

Illustration **F 2**

See page 37.

→ To store the mains cable.

12 Supply Cord

13 Crevice nozzle

For edges, joints, heaters and hard to reach locations.

14 Foam filter

Illustration **C 1**

→ Pull a foam filter over the filter basket for wet vacuum cleaning.

Note: Ensure firm seating of the foam filter.

15 Cartridge filter

(depending on model)

Illustration **D 1**

→ Use cartridge filter for vacuuming up coarse soiling.

16 Filter bag

(depending on model)

Illustration **D 1**

→ Use filter bag for vacuuming up coarse soiling.

Note: When installing the filter bag, ensure that no unfiltered air can be sucked through the filter basket.

17 Filter bag

Illustration **A 2**

Illustration **D 2**

Note: Do not use a filter bag for wet vacuuming!

→ **Recommendation:** To vacuum fine dust, use the filter bag. Vacuumed up dust can be more easily disposed of with the filter bag.

Operation

⚠ **Caution**

Always work with the inserted foam filter during wet vacuum cleaning.

Always work with the inserted filter bag or cartridge filter during dry vacuum cleaning.

Before Startup

Illustration **A 1**

→ Mount loose parts delivered with appliance prior to start-up.

Start up

Illustration **B 1**

→ Connect accessories.

Illustration **B 2**

→ Plug in the main plug.

Illustration **B 3**

→ Turn on the machine.

Dry vacuum cleaning

⚠ **Caution**

Check the filter for damage prior to installation and replace as necessary.

Illustration **A 2**

→ **Recommendation:** To vacuum fine dust, use the filter bag.

Information filter bag

- The filling level of the filter bag depends on the dirt that is sucked in.
- The filter bag needs to be replaced more frequently while sucking in fine dust, sand, etc.
- Clogged filter bags can burst - therefore make sure to replace the filter bag in a timely manner!

⚠ **Caution**

Vacuum cold ashes only when using a pre-filter.

Order no. basic design: 2.863-139.0, premium design: 2.863-161.0.

Wet vacuum cleaning

⚠ Warning

Immediately switch the appliance off or pull the power plug if foam forms or liquids escape! Do not use a filter bag!

Note: If the container is full, a float closes the suction opening, and the appliance works at a higher speed. Switch off the appliance immediately, and empty the container.

→ Pull a foam filter over the filter basket for wet vacuum cleaning.

Note: Ensure firm seating of the foam filter.

Blowing function

Cleaning hard to reach locations or, where vacuuming is not possible, like leaves from a gravel bed.

Illustration **E1**

→ Connect the suction hose to the blower connection, this will activate the blower function.

Interrupting operation

→ Turn off the appliance.

Finish operation

→ Turn off the appliance and disconnect the mains plug.

Empty the container

Illustration **F1**

See page 37.

→ Remove the appliance head and empty the reservoir.

Storing the appliance

Illustration **F2**

See page 37.

→ Stow away the mains cable and accessory at the machine. Store the appliance in a dry room.

Maintenance and care

⚠ Danger

Turn off the appliance and remove the mains plug prior to any care and maintenance work. Repair works may only be performed by the authorised customer service.

⚠ Warning

Do not use abrasives, glass or universal cleaners! Never immerse the appliance in water.

→ Clean the appliance and accessory parts made of plastic with a commercial plastic cleaner.

→ If required, rinse the container and accessories with water properly and dry them before reuse.

Illustration **G1**

See page 37.

→ Only clean the foam filter under running water; do not wipe or brush. Let it dry completely prior to installation.

Troubleshooting

Decreasing cleaning power

If the cleaning power of the appliance deteriorates please check the following:

Illustration **B1**

→ Accessories, suction hose or suction pipes are clogged, please remove the obstruction using a stick.

Illustration **A2**

→ Filter bag is full, install new filter bag.

Illustration **G1**

See page 37.

→ Clean the foam filter under running water; let it dry before reinserting it.

→ Filter bag is soiled, tap filter bag.

→ Cartridge filter is soiled, tap cartridge filter.

→ Replace damaged cartridge filter.

Technical specifications

	1.098-300.0 1.098-304.0 1.098-306.0	1.098-303.0	1.098-305.0	
Mains voltage	220 - 240	220	120-127	V
Frequency	1~50/60	1~50	1~50/60	Hz
Container capacity	15			l
Water intake with handle	9,0			l
Water intake with floor nozzle	6,0			l
Output P _{nom}	1000	900	1200	W
Power cord	H 05VV-F2x0,75	53RVV 2x0,75	SJTW-16AWG-2C 105°C	
Weight (without accessories)	3,8			kg
Sound pressure level (EN 60704-2-1)	75		77	dB(A)

Subject to technical modifications!

Índice de contenidos

Indicaciones generales	ES . . . 5
Indicaciones de seguridad	ES . . . 6
Descripción del aparato	ES . . . 7
Manejo	ES . . . 8
Cuidados y mantenimiento.	ES . . . 9
Ayuda en caso de avería	ES . . 10
Datos técnicos	ES . . 11

Estimado cliente:



Antes del primer uso de su aparato, lea este manual original, actúe de acuerdo a sus indicaciones y guárdelo para un uso posterior o para otro propietario posterior.

Indicaciones generales

Uso previsto

El aparato está previsto para el uso como aspirador en seco conforme a las descripciones e instrucciones de seguridad de este manual de instrucciones.

Este aparato ha sido diseñado para el uso particular y no para los esfuerzos del uso industrial.

- Proteger el aparato de la lluvia. No depositarlo a la intemperie.
- No se deben aspirar cenizas ni hollín con este aparato.

Utilizar el aspirador de usos múltiples solo con:

- bolsas filtrantes originales.
- Accesorios y piezas de repuesto o accesorios opcionales originales.

El fabricante no asume responsabilidad alguna por los daños que pudieran derivarse de un uso inadecuado o incorrecto.

Protección del medio ambiente



Los materiales de embalaje son reciclables. Por favor, no tire el embalaje a la basura doméstica; en vez de ello, entréguelo en los puntos oficiales de recogida para su reciclaje o recuperación.



Los aparatos viejos contienen materiales valiosos reciclables que deberían ser entregados para su aprovechamiento posterior. Por este motivo, entregue los aparatos usados en los puntos de recogida previstos para su reciclaje.

Eliminación de filtro y bolsa filtrante

El filtro y la bolsa filtrante están fabricados con materiales biodegradables.

Si no aspira sustancias que no estén permitidas en la basura convencional, los puede eliminar con ella.

Indicaciones sobre ingredientes (REACH)

Encontrará información actual sobre los ingredientes en:

www.kaercher.com/REACH

Garantía

En todos los países rigen las condiciones de garantía establecidas por nuestra sociedad distribuidora. Las averías del aparato serán subsanadas gratuitamente dentro del período de garantía, siempre que las causas de las mismas se deban a defectos de material o de fabricación. En un caso de garantía, le rogamos que se dirija con el comprobante de compra al distribuidor donde adquirió el aparato o al Servicio al cliente autorizado más próximo a su domicilio.

Servicio de atención al cliente

En caso de dudas o alteraciones, la sucursal de KÄRCHER estará encantada de ayudarle.

Pedido de piezas de repuesto y accesorios especiales

Podrá encontrar una selección de las piezas de repuesto usadas con más frecuencia al final de las instrucciones de uso. En su distribuidor o en la sucursal de KÄRCHER podrá adquirir piezas de repuesto y accesorios.

Indicaciones de seguridad

- *Este aparato no es apto para ser manejado por personas con incapacidades físicas, sensoriales o intelectuales o falta de experiencia y/o conocimientos, a no ser que sean supervisados por una persona encargada o hayan recibido instrucciones de esta sobre como usar el aparato y qué peligros conlleva.*
- *Los niños solo podrán utilizar el aparato si tienen más de 8 años y siempre que haya una persona supervisando su seguridad o les hayan instruido sobre como manejar el aparato y los peligros que conlleva.*
- *Los niños no pueden jugar con el aparato.*
- *Supervisar a los niños para asegurarse de que no jueguen con el aparato.*
- *Los niños no pueden realizar la limpieza ni el mantenimiento sin supervisión.*
- *Mantener alejado el plástico del embalaje de los niños, se pueden ahogar.*
- *Apagar el aparato después de cada uso y antes de cada limpieza/mantenimiento.*
- *Peligro de incendio. No aspirar objetos incandescentes, con o sin llama.*
- *Está prohibido usar el aparato en zonas en las que exista riesgo de explosiones.*

△ **Conexión eléctrica**

Conecte el aparato únicamente a corriente alterna. La tensión tiene que corresponder a la indicada en la placa de características del aparato.

△ **Peligro de descarga eléctrica**

No toque nunca el enchufe de red o la toma de corriente con las manos mojadas.

No saque el enchufe de la toma de corriente tirando del cable.

Antes de cada puesta en servicio, compruebe si el cable de conexión y el enchufe de red presentan daños. Si el cable de conexión estuviera deteriorado, debe solicitar sin demora a un electricista especializado del servicio de atención al cliente autorizado que lo sustituya.

Para evitar accidentes de origen eléctrico, recomendamos utilizar tomas de corriente con un interruptor protector de corriente de defecto preconectado (intensidad de corriente de liberación nominal: máx. 30 mA).

△ **Advertencia**

Determinadas sustancias pueden mezclarse con el aire aspirado debido a las turbulencias dando lugar a mezclas o vapores explosivos.

No aspirar nunca las siguientes sustancias:

- *Gases, líquidos y polvos explosivos o inflamables, (polvos reactivos)*

- *Polvos de metal reactivos (p. ej. aluminio, magnesio, zinc) en combinación con detergentes muy alcalinos y ácidos*
- *Ácidos y lejías fuertes sin diluir*
- *Disolventes orgánicos (p.ej. gasolina, diluyentes cromáticos, acetona, fuel).*

Además, esas sustancias pueden afectar negativamente a los materiales empleados en el aparato.

Símbolos del manual de instrucciones

⚠ Peligro

Para un peligro inminente que acarrea lesiones de gravedad o la muerte.

⚠ Advertencia

Para una situación que puede ser peligrosa, que puede acarrear lesiones de gravedad o la muerte.

⚠ Precaución

Para una situación que puede ser peligrosa, que puede acarrear lesiones leves o daños materiales.

Descripción del aparato

Ilustraciones, véase la contraportada.



El aparato está disponible en 2 acabados diferentes.

- Con saco filtrante.
- Con filtro de cartucho.

Cuando desempaque el contenido del paquete, compruebe si faltan accesorios o si el aparato presenta daños. Informe a su

distribuidor en caso de detectar daños ocasionados durante el transporte.

1 Racor de empalme de la manguera de aspiración

Imagen **B 1**

→ Para conectar la manguera de absorción al aspirar.

2 Manguera de aspiración con asa

Imagen **B 1**

→ Insertar la manguera de aspiración en su orificio de conexión (cierre de bayoneta).

3 Cierre del recipiente

Imagen **A 1**

→ Tirar hacia fuera para afriar, presionar hacia dentro para bloquear.

4 Interruptor del aparato (ON / OFF)

Imagen **B 3**

Posición I: Aspirar o soplar.

Posición 0: El aparato está apagado.

5 Alojamiento de accesorios en el cabezal del aparato

El alojamiento de accesorios permite guardar las boquillas de aspiración en el cabezal del aparato.

6 Asa de transporte

Imagen **A 1**

→ Para transportar el aparato o para extraer el cabezal de aparato tras el desbloqueo.

7 Ruedas giratorias

Imagen **A 1**

→ Las ruedas de dirección se suministran dentro del recipiente, montar antes de la puesta en marcha.

8 Tuberías de aspiración (3)

Imagen **B 1**

→ Insertar tubos de aspiración y conectar con la manguera de aspiración.

9 Boquilla barredora de suelos

Imagen **B 1**

Boquilla de suelos con módulo para aspiración de sólidos y fluidos

10 Conexión para soplado

Imagen **E 1**

→ Insertar la manguera de aspiración en la toma de aire para que se active la función de soplado.

11 Gancho porta cables

Imagen **F 2**

Véase la página 37.

→ Para almacenar el cable de alimentación.

12 Cable de conexión a la red

13 Boquilla para juntas

Para bordes, juntas, radiadores y zonas de difícil acceso.

14 Filtro de celulosa

Imagen **C 1**

→ Poner el filtro de espuma encima de la cesta filtrante para aspirar en húmedo.

Indicación: Cerciorarse del asiento firme del filtro de espuma.

15 Filtro de cartuchos

(según equipamiento)

Imagen **D 1**

→ Utilizar un filtro de cartucho para aspirar partículas de suciedad gruesa.

16 saco de filtrado

(según equipamiento)

Imagen **D 1**

→ Utilizar un saco de filtro para aspirar partículas de suciedad gruesa.

Indicación: A la hora de montar el saco del filtro, procurar que no se aspire ningún aire no filtrado por la cesta del filtro.

17 Bolsa del filtro

Imagen **A 2**

Imagen **D 2**

Indicación: Para aspirar líquidos no se debe colocar una bolsa filtrante.

→ **Recomendación:** Colocar la bolsa filtrante para aspirar polvo fino.

El polvo aspirado se puede eliminar más fácil con la bolsa filtrante.

Manejo

△ **Precaución**

Al aspirar en húmedo se debe trabajar siempre con el filtro de espuma colocado.

Al aspirar en seco se tienen que trabajar siempre con el saco del filtro o el filtro de cartucho colocado.

Antes de la puesta en marcha

Imagen **A 1**

→ Antes de la puesta en marcha montar las piezas sueltas suministradas con el aparato.

Puesta en marcha

Imagen **B 1**

→ Conecte el accesorio.

Imagen **B 2**

→ Enchufe la clavija de red.

Imagen **B 3**

→ Conectar el aparato.

Aspiración en seco

△ **Precaución**

Antes de usar el filtro, comprobar si está dañado y cambiar si es necesario.

Imagen **A 2**

→ **Recomendación:** Colocar la bolsa filtrante para aspirar polvo fino.

Indicaciones sobre la bolsa filtrante

- Cuanto más suciedad de aspira más se llena la bolsa filtrante.
- En caso de aspirar polvo fino, arena etc... se debe cambiar la bolsa filtrante con más frecuencia.
- Las bolsas filtrantes pueden explotar, por eso es necesario cambiarla a tiempo.

⚠ **Precaución**

Aspirar cenizas frías solo con el separador previo.

Nº referencia modelo Basic: 2.863-139.0,
modelo Premium: 2.863-161.0.

Aspiración de líquidos

⚠ **Advertencia**

¡En caso de que se forme espuma o salga líquido, desconecte el aparato inmediatamente o desenchufar!

¡No utilizar una bolsa filtrante!

Nota: Si el recipiente está lleno, un flotador cierra el orificio de aspiración y el aparato gira a un mayor número de revoluciones. Desconecte el aparato de inmediato y vacíe el recipiente.

➔ Poner el filtro de espuma encima de la cesta filtrante para aspirar en húmedo.

Indicación: Cerciorarse del asiento firme del filtro de espuma.

Función de soplado

Limpieza de zonas de difícil acceso o donde la aspiración no sea posible, p.ej. hojas del lecho de gravilla.

Imagen **E1**

➔ Insertar la manguera de aspiración en la toma de aire para que se active la función de soplado.

Interrupción del funcionamiento

➔ Desconexión del aparato

Finalización del funcionamiento

➔ Apague el aparato y desenchufe la clavija de red.

Vacíe el depósito

Imagen **F1**

Véase la página 37.

➔ Quite el cabezal de aparato y vacíe el depósito.

Almacenamiento del aparato

Imagen **F2**

Véase la página 37.

➔ Guardar la conexión a la red y los accesorios en el aparato. Guarde el aparato en un lugar seco.

Cuidados y mantenimiento

⚠ **Peligro**

Apague el aparato y desenchufe la clavija de red antes de efectuar los trabajos de cuidado y mantenimiento.

Los trabajos de reparación y trabajos en componentes eléctricos sólo los puede realizar el Servicio técnico autorizado.

⚠ **Advertencia**

No utilice detergentes abrasivos, ni detergentes para cristales o multiuso. No sumerja jamás el aparato en agua.

➔ Limpie el aparato y los accesorios de plástico con un limpiador de materiales sintéticos de los habituales en el mercado.

➔ En caso necesario, aclarar el depósito y los accesorios con agua y secar antes de volverlos a utilizar.

Imagen **G1**

Véase la página 37.

➔ Si es necesario, limpiar el filtro de celulosa bajo agua corriente, no frotar ni cepillar. Antes del montaje dejar secar totalmente.

Ayuda en caso de avería

Potencia de aspiración reducida

Si la potencia de absorción del aparato disminuye, comprobar los siguientes puntos.

Imagen **B 1**

→ Los accesorios, la manguera de aspiración o los tubos de aspiración están obstruidos; elimine la obstrucción con ayuda de una vara.

Imagen **A 2**

→ La bolsa filtrante está llena, sustituirla por otra.

Imagen **G 1**

Véase la página 37.

→ Limpiar el filtro de espuma con agua corriente, secar bien antes de volver a colocarlo.

→ Si el saco del filtro está sucio, sacudirlo para que caiga la suciedad.

→ Si el filtro de cartucho está sucio, sacudirlo para que caiga la suciedad.

→ Cambiar el filtro de cartucho dañado.

Datos técnicos

	1.098-300.0 1.098-304.0 1.098-306.0	1.098-303.0	1.098-305.0	
Tensión de red	220 - 240	220	120-127	V
Frecuencia	1~50/60	1~50	1~50/60	Hz
Capacidad del depósito	15			l
Absorción de agua con el asa	9,0			l
Absorción de agua con boquilla para suelos	6,0			l
Potencia P _{nom}	1000	900	1200	W
Cable de conexión a la red	H 05VV-F2x0,75	53RVV 2x0,75	SJTW-16AWG-2C 105°C	
Peso sin accesorios	3,8			kg
Nivel de presión acústica (EN 60704-2-1)	75		77	dB(A)
			<p>CONSUMO DE ENERGIA</p> <p>1. En Operación: 1,15 kWh</p> <p>2. En Modo de Espera: N/A</p> <p>Modelo: WD 1</p>	

Reservado el derecho a realizar modificaciones técnicas.

البيانات الفنية

	1.098-305.0	1.098-303.0	1.098-300.0 1.098-304.0 1.098-306.0	
فولت	127-120	220	240 - 220	الجهد الكهربائي
هرتز	1~50/60	1~50	1~50/60	التردد
لتر	15			سعة الخزان
لتر	9,0			سحب المياه بالمقبض اليدوي
لتر	6,0			سحب المياه بفوهة الأرضية.
W	1200	900	1000	القدرة الاسمية
	SJTW-16AWG-2C 105°C	53RVV 2x0,75	H 05VV-F2x0,75	سلك كهربائي
kg	3,8			الوزن (بدون الملحقات)
ديسيبل (أ)	77	75		مستوى ضغط الصوت (EN 60704-2-1)

جميع حقوق إدخال تعديلات فنية محفوظة!

أنبوبة الشفط المتدلية

لا تخفض أنبوبة الشفط الخاصة بالجهاز، وتأكد من فصلك من النقاط التالية.

صورة 31

- ألا تكون الملحقات، أو خرطوم أو ماسورة الشفط مسدودة، قم بإزالة الانسداد باستخدام عصا رفيعة.

صورة 32

- كيس الفلتر ممتلئ، استخدم كيس فلتر جديداً.

صورة 33

انظر صفحة 37

- قم بتنظيف فلتر الرغوة تحت الماء المتدفق، وأتركه يجف تماماً قبل التركيب.
- كيس الفلتر متسخ، فقم بالطرق عليه.
- فلتر الخرطوشة متسخ، فقم بالطرق عليه.
- قم بتغيير فلتر الخرطوشة التالفة.



يجب غلق الجهاز وسحب القابس الكهربائي في كل مرة قبل القيام بأعمال العناية والصيانة.

غير مسموح بإجراء الإصلاحات واستخدام المكونات الكهربائية بالجهاز إلا لمركز خدمة العملاء المعتمد.



لا تستخدم أية أداة كاشطة أو زجاج أو منظف متعدد الاستخدام. لا تغمر الجهاز في الماء أبداً. لا تغمر الجهاز في الماء مطلقاً.

- قم بتنظيف الجهاز وأجزاء الملحقات البلاستيكية باستخدام منظف البلاستيك المتداول.
- يمكن غسل خزان الاتساخات والملحقات بالماء عند الضرورة، إلا أنه ينبغي تجفيفها قبل إعادة الاستخدام.

صورة 34

انظر صفحة 37

- قم بتنظيف فلتر الخرطوشة عند الحاجة تحت الماء المناسب، واحرص على عدم حكه أو تنظيفه بالفرشاة. ويجب تركه حتى يجف تماماً قبل التركيب.

وظيفة النفخ

تنظيف الأماكن التي يصعب الوصول إليها أو الأماكن التي لا يمكن الشفط بها، مثل شفط أوراق الشجر أو النباتات الخضراء من أرضية من الحصى.

صورة 1-1

- أدخل خرطوم الشفط في وصلة النفخ التي تعمل على تشييط وظيفة النفخ.

إيقاف التشغيل

- قم بإيقاف الجهاز.

إنهاء التشغيل

- أوقف الجهاز واسحب قابس الشبكة.

تفريغ الخزان

صورة 1-2

انظر صفحة 37

- انزع رأس الجهاز وقم بتفريغ الخزان.

تخزين الجهاز

صورة 1-3

انظر صفحة 37

- قم بتخزين وصلة الإمداد بالكهرباء والملحقات بالجهاز. يحفظ الجهاز في أماكن جافة.

ملاحظات حول كيس الفلتر

- ترتبط درجة ملء كيس الفلتر بالقاذورات التي تم شفطها.
- بالنسبة للغبار الناعم والرمل وما إلى ذلك، يجب تغيير كيس الفلتر بصورة متكررة.
- فقد تتفجر أكياس الفلتر الممتلئة للغاية، وبالتالي، يجب تغيير كيس الفلتر في الوقت المناسب

⚠ تحرس

استخدم الفلتر الأولي فقط من أجل شفط الرماد البارد.

رقم الطلب للتنفيذ الاعتيادي: 2.863139.0،
تنفيذ برميوم: 2.863161.0.

التنظيف بالماء

⚠ تحذير

في حالة تكوين رغاوي أو خروج سوائل يجب فصل الجهاز فوراً أو نزع القابس من المقبس. لا تستخدم كيس الفلتر!

ملحوظة: في حالة امتلاء الخزان، تقوم عوامة بإغلاق فتحة الشفط وتزيد سرعة الجهاز. قم بإيقاف الجهاز على الفور وتفريغ الخزان.

- للشفط الرطب قم بسحب فلتر الرغوة فوق سلة الفلتر.

إرشاد: افحص فلتر الرغوة من حيث ثباته.

يمكن التخلص من التراب المشفوط بشكل سهل بواسطة كيس الفلتر.

11 خطافات الأسلاك

صورة 12

انظر صفحة 37

• لتخزين وصلة الإمداد بالطاقة.

12 كابل الشبكة الكهربائية

13 فوهة الشقوق

للعقد والشقوق وأجهزة التسخين والأماكن التي يصعب الوصول إليها.

14 مرشح الرغوة

صورة 15

• للشفط الرطب قم بسحب فلتر الرغوة فوق سلة الفلتر.

إرشاد: افحص فلتر الرغوة من حيث ثباته.

15 فلتر الخرطوشة

(تبعاً للتجهيز)

صورة 16

• استخدم فلتر الخرطوشة في شفط الأوساخ الكبيرة.

16 كيس فلتر

(تبعاً للتجهيز)

صورة 17

• استخدم كيس الفلتر في شفط الأوساخ الكبيرة.

إرشاد: عند تركيب كيس الفلتر ينبغي مراعاة عدم إمكانية شفط أي هواء غير مفلتر من خلال سلة الفلتر.

17 كيس الفلتر

صورة 18

صورة 19

ملاحظة : للشفط الرطب، لا يسمح باستخدام كيس فلتر!

• إرشادات : لشفط الغبار الناعم، استخدم كيس فلتر.

الاستخدام



احترس

عند الشفط الرطب، احرص دائما على تركيب فلتر الرغوة أثناء العمل.

عند الشفط الجاف، احرص دائما على تركيب كيس الفلتر أو فلتر الخرطوشة أثناء العمل.

قبل بدء التشغيل

صورة 20

• قبل بدء التشغيل يتم تثبيت الأجزاء المفكوكة المرفقة مع الجهاز.

التشغيل

صورة 21

• قم بتوصيل الملحقات.

صورة 22

• قم بتوصيل قابس الكهرباء.

صورة 23

• قم بتشغيل الجهاز.

التنظيف الجاف



احترس

تحقق قبل الاستخدام من أي أضرار في الفلتر وقم باستبداله عند الضرورة.

صورة 24

• إرشادات : لشفط الغبار الناعم، يجب استخدام كيس فلتر.

الرموز الواردة في دليل التشغيل



خطر

المخاطر التي تهدد الحياة بصورة مباشرة وتؤدي إلى إصابات جسدية بالغة أو تسبب في الوفاة.



تحذير

لمواقف قد تحفها المخاطر وقد تؤدي إلى إصابات جسدية بالغة أو تسبب في الوفاة.



احترس

لمواقف قد تحفها المخاطر وقد تؤدي إلى إصابات بسيطة أو تسبب في أضرار مادية.

3 سداة الخزان

صورة A1

- للفتح، اسحبها نحو الخارج، وللغلق اضغط عليها للداخل.

4 مفتاح الجهاز (تشغيل/إيقاف)

صورة B3

الوضع 1 : الشفط أو النفخ

الوضع صفر : الجهاز متوقف عن العمل

5 فتحة الملحقات- رأس الجهاز

تسمح فتحة الملحقات هذه بتخزين فوهات الشفط برأس الجهاز.

6 مقبض الحمل

صورة A1

- لحمل الجهاز أو لسحب رأس الجهاز بعد فكه.

7 بكرات التوجيه

صورة A1

- عند التسليم يتم تخزين بكرات التوجيه في الخزان. قم بتركيبها قبل التشغيل

8 أنابيب الشفط (3 أضعاف)

صورة B1

- قم بتركيب مواسير الشفط وتوصيلها بخرطوم الشفط.

9 فوهة الأرضية

صورة B1

فوهة أرضية مع عنصر للشفط الرطب والشفط الجاف

10 وصلة للنفخ

صورة E1

- أدخل خرطوم الشفط في وصلة النفخ التي تعمل على تشييط وظيفة النفخ.

وصف الجهاز

الصور، انظر الصفحة المطوية!



يأتي الجهاز في موديلين مختلفين.

– مزود بكيس فلتر.

– مزود بفلتر الخرطوشة.

عند فض محتويات العبوة قم بالتأكد من عدم نقص أي ملحقات أو وجود أضرار. يرجى إخطار الموزع عند تعرض الجهاز لأضرار بسبب النقل.

1 توصيلة خرطوم الشفط

صورة B1

- لتوصيل خرطوم الشفط عند القيام بعملية الشفط.

2 خرطوم شفط بمقبض يدوي

صورة B1

- قم بتركيب خرطوم الشفط داخل وصلة خرطوم الشفط (وصلة ذات مسمارين).

طلب قطع غيار وملحقات إضافية

ستجد في نهاية دليل التشغيل نماذج لقطع الغيار الأكثر استخداماً.

يمكنك الحصول على قطع الغيار والملحقات من الموزع أو من فرع مؤسسة KÄRCHER.

إرشادات السلامة

هذا الجهاز غير مخصص للاستخدام من قبل الأشخاص محدودي القدرات البدنية أو الحسية أو العقلية أو من لا تتوافر لديهم الخبرة وأو المعرفة إلا إذا تم الإشراف عليهم من قبل شخص مختص بأمنهم وسلامتهم أو بعد حصولهم على تعليمات من هذا الشخص بشأن كيفية استخدام هذا الجهاز والأخطار الناشئة عن ذلك.

غير مسموح للأطفال باستخدام الجهاز، إلا إذا كانوا فوق سن الثامنة، أو تحت إشراف شخص يختص بأمنهم وسلامتهم، أو بعد أن يحصلوا من هذا الشخص على تعليمات بشأن كيفية استخدام الجهاز والأخطار الناشئة عن ذلك.

لا يسمح للأطفال بالعبث بالجهاز.

ينبغي مراقبة الأطفال لضمان عدم تلاعبهم بالجهاز.

لا يجوز أن يقوم الأطفال بعملية التنظيف والصيانة إلا إذا تم الإشراف عليهم. تحفظ لغافة ورق القصدبر الخاصة بالتنظيف بعيداً عن تناول الأطفال، حيث يكمن خطر الاختناق!

يتعين إيقاف تشغيل الجهاز بعد كل استخدام وقبل القيام بكل عملية تنظيف أو صيانة. يكمن هنا خطر الحريق. لا يجب شطف أية أشياء مشتعلة أو متوهجة. يحظر تماماً تشغيل الجهاز في أماكن معرضة لخطر الانفجار.

⚠️ الوصلة الكهربائية

قم بتوصيل الجهاز بتيار كهربائي متردد. يجب أن يتوافق الجهد الكهربائي مع الجهد المذكور على الملصق الموجود على الجهاز.

⚠️ خطر حدوث صدمة كهربائية

لا تقم بالإمسك بالقابس والمقبس إذا كانت يداك مبللتين.

لا تسحب القابس من خلال نزع الوصلة من المقبس.

يجب فحص الوصلة مع القابس الكهربائي قبل كل تشغيل للجهاز للتأكد من عدم وجود أية تلفيات. يجب استبدال الوصلات التالفة على الفور من أي فني كهربائي معتمد أو أي مركز خدمة عملاء معتمد من أجل تلافي وقوع أية أخطار.

تجنباً لوقوع حوادث كهربائية ننصح باستخدام مقابس ذات مفاتيح قطع الدائرة الكهربائية لتيار الخلل مضادة للتيار (الحد الأقصى 30 مللي أمبير لشدة تيار التحرير الاسمي).

⚠️ تحذير

بعض المواد يمكن أن تكون أبخرة أو خليط قابل للانفجار عند اتحادها مع الهواء الممتص!

لا تقم بشطف الأشياء التالية مطلقاً:

الغازات القابلة للانفجار أو الاحتراق، السوائل والأثرية (الأثرية التفاعلية)

غبار المعادن القابل للتفاعل (مثل الألومونيوم، والماغنسيوم، والزنك) عند اتحادها مع وسائل التنظيف القلوية والحمضية القوية.

الأحماض والعناصر القوية والمركزة

المواد العضوية المذيبة (مثل البنزين، ومزيل

الألوان، والأسيتون، والزيت الساخن).

بالإضافة إلى ذلك يمكن أن تؤدي هذه المواد إلى تآكل الخامات المستخدمة في صنع الجهاز.

حماية البيئة

مواد التغليف قابلة للتدوير وإعادة الاستخدام. يرجى عدم التخلص من العبوة في سلة القمامة المنزلية ولكن عليك بتقديمها للجهات المختصة بإعادة تدوير القمامة.



تحتوي الأجهزة القديمة على مواد قيمة قابلة لإعادة التدوير والاستخدام والتي يجب الاستفادة منها. لذا، قم بالتخلص من الأجهزة القديمة بما يتوافق مع نظم التجميع المناسبة.



التخلص من الفلتر وكيس الفلتر

يتم تصنيع الفلتر وكيس الفلتر من مواد صديقة للبيئة.

طالما أنها لا تحتوي على أية مواد قابلة للامتصاص والتي يحظر القائها في سلة القمامة المنزلية، يمكنك التخلص منها في سلة القمامة المنزلية العادية.

الضمان

في كل دولة تسري شروط الضمان التي تضعها شركة التسويق المختصة التابعة لنا. نحن نتولى علاج الأعطال التي قد تطرأ على جهازك بدون مقابل خلال فترة الضمان طالما أن السبب في هذه الأعطال ناجم عن وجود عيب في المواد أو في الصنع. في حالة استحقاق الضمان، توجه من فضلك بقسيمة الشراء إلى أقرب موزع أو مركز خدمة عملاء معتمد.

خدمة العملاء

يسر فرع مؤسسة KÄRCHER أن يقدم لك كافة أشكال المساعدة في حالة وجود استفسارات أو أعطال.

عززي العميل

يرجى قراءة دليل التشغيل الأصلي هذا قبل أول استخدام لجهازك، ثم التعامل مع الجهاز وفقاً للتعليمات الواردة بهذا الدليل. كما يرجى الاحتفاظ بدليل التشغيل لأي استخدامات أخرى فيما بعد أو في حالة تسليم الجهاز لمستخدمين آخرين.



إرشادات عامة

الاستخدام المطابق للتعليمات

الجهاز مطابق للشروح الواردة في دليل التشغيل هذا ولإرشادات السلامة الخاصة باستخدامه كمكينة متعددة الاستخدامات. تم تطوير هذا الجهاز من أجل الاستخدام الشخصي كما أنه غير مصمم لتلبية متطلبات الاستخدام التجاري.

- يجب حماية الجهاز من الأمطار. لا يجوز تخزينه في الأماكن الخارجية المفتوحة.
- لا يمكن شطف الرماد والسخام بهذا الجهاز.


لا تستخدم المكينة متعددة الأغراض إلا مع المكونات التالية:

- كيس الفلتر الأصلي.
- قطع الغيار الأصلية أو الملحقات الأصلية أو الملحقات الإضافية الأصلية.

لن تتحمل الشركة المنتجة مسؤولية أية أضرار محتملة قد تحدث نتيجة للاستخدام غير المطابق للمواصفات أو التشغيل الخاطئ.

สารบัญ

ข้อมูลทั่วไป	ไทย 5
คำแนะนำเพื่อความปลอดภัย	ไทย 6
รายละเอียดเกี่ยวกับเครื่อง	ไทย 7
วิธีใช้	ไทย 8
วิธีดูแลรักษา	ไทย 10
การแก้ไขปัญหา	ไทย 10
ข้อมูลทางเทคนิค	ไทย 10

 **เรียน ท่านลูกค้า**

กรุณาอ่านต้นฉบับคำแนะนำการใช้งานนี้ก่อนจะเริ่มใช้เครื่องครั้งแรก

ปฏิบัติตามและเก็บรักษาคำแนะนำการใช้งานนี้ไว้สำหรับใช้ในครั้งต่อไป หรือสำหรับเจ้าของเครื่องคนต่อไป

ข้อมูลทั่วไป

การใช้งานอย่างถูกวิธี

เครื่องนี้เป็นเครื่องดูดฝุ่นเอนกประสงค์ ในการนำเครื่องไปใช้จะต้องใช้ให้ถูกวิธีตามคำแนะนำการใช้งานและคำแนะนำเพื่อความปลอดภัยที่ได้รับไว้ในคำแนะนำการใช้งานนี้

เครื่องดูดฝุ่นเอนกประสงค์นี้พัฒนาขึ้นมาสำหรับใช้งานในบ้าน ไม่ได้ผลิตขึ้นสำหรับนำไปใช้งานในอาคารพาณิชย์

- โปรดดูแลไม่ให้เครื่องโดนฝน และอย่าปล่อยให้เครื่องไว้นอกตัวอาคาร
- ห้ามใช้เครื่องนี้ดูดซึ้เก้าหรือผงเขม่า

ให้ใช้เครื่องดูดฝุ่นเอนกประสงค์นี้กับชิ้นส่วนต่อไปนี้เท่านั้น:

- ถุงกรองที่เป็นของแท้
 - อะไหล่ อุปกรณ์เสริม และอุปกรณ์พิเศษที่เป็นของแท้
- ผู้ผลิตจะไม่รับประกันความเสียหายที่เกิดขึ้นจากการใช้งานที่ไม่มีคู่มือ หรือการใช้เครื่องอย่างผิดๆ

การรักษาสีเงาตลอด



วัสดุบรรจุภัณฑ์สามารถนำกลับมาใช้ซ้ำได้

กรุณาอย่าทิ้งวัสดุบรรจุภัณฑ์นี้ในถังขยะทั่วไป

หากแต่ควรนำไปทิ้งในที่สำหรับทิ้งวัสดุที่สามารถนำกลับมาใช้ใหม่ได้



เครื่องดูดฝุ่นเก่าที่ไม่ใช้แล้วมีส่วนประกอบเป็นวัสดุที่มีค่าที่สามารถนำกลับมาใช้ใหม่ได้

จึงควรนำวัสดุเหล่านี้มาใช้ให้เกิดประโยชน์อีก

กรุณานำเครื่องดูดฝุ่นเก่าไปทิ้งโดยผ่านระบบการเก็บรวบรวมเครื่องใช้เก่าที่เหมาะสม

การกำจัดแผ่นกรองและถุงกรอง

แผ่นกรองและถุงกรองทำขึ้นจากวัสดุที่ไม่เป็นพิษต่อสิ่งแวดล้อม

ถ้าหากขยะที่แผ่นกรองและถุงกรองอุดมมากมีได้บรรจุสารที่ห้ามนำไปทิ้งรวมกับขยะทั่วไป

ท่านสามารถกำจัดแผ่นกรองและถุงกรองในถังทิ้งขยะทั่วไปได้

ข้อมูลเกี่ยวกับสารที่เป็นส่วนประกอบภายใน (REACH)

โปรดดูข้อมูลล่าสุดเกี่ยวกับสารที่เป็นส่วนประกอบภายในได้ที่

www.kaercher.de/REACH

การรับประกัน

ในแต่ละประเทศ

เครื่องดูดฝุ่นของเราได้รับการประกันตามเงื่อนไขการรับประกันที่กำหนดโดยตัวแทนจำหน่ายของเราในประเทศนั้นๆ

ในกรณีที่เครื่องเกิดข้อขัดข้องภายในระยะเวลาของการรับประกัน ทางบริษัทจะซ่อมแซมให้โดยไม่คิดค่าใช้จ่าย

ถ้าหากว่าสาเหตุของการขัดข้องเกิดจากข้อบกพร่องด้านวัสดุหรือจากความผิดพลาดในการผลิต

กรุณาติดต่อผู้จำหน่ายหรือศูนย์บริการลูกค้าที่ได้รับแต่งตั้งอย่างเป็นทางการใกล้บ้านท่าน

พร้อมกับนำหลักฐานการซื้อไปแสดง

เพื่อใช้สิทธิประโยชน์จากการรับประกัน

ศูนย์บริการลูกค้า

หากมีคำถามหรือเกิดเหตุขัดข้องใดๆ

โปรดติดต่อสำนักงานสาขาของ KÄRCHER

ทางเรายินดีให้บริการท่านด้วยความเต็มใจ

การสั่งซื้ออะไหล่และอุปกรณ์เสริมพิเศษ

โปรดดูรายการอะไหล่ที่จำเป็นต้องใช้บ่อยที่สุดได้ที่ตอนท้ายของคำแนะนำการใช้งานนี้

อะไหล่และอุปกรณ์เสริม

สามารถหาซื้อได้จากผู้จำหน่ายของท่าน

หรือที่สำนักงานสาขาของ KÄRCHER

คำแนะนำเพื่อความปลอดภัย

- ไม่ควรให้บุคคลที่มีความผิดปกติทางร่างกายทางการสัมผัส หรือทางจิตใจ หรือบุคคลที่ขาดประสบการณ์หรือความรู้ใช้เครื่องนี้
- เว้นแต่จะมีผู้ที่ทำหน้าที่ดูแลเรื่องความปลอดภัยคอยกำกับอยู่
- หรือคอยออกคำสั่งว่าจะต้องใช้เครื่องอย่างไร และบุคคลนั้นๆ เข้าใจอันตรายที่อาจเกิดขึ้นจากการใช้เครื่องแล้ว
- เด็กที่จะใช้เครื่องนี้ได้ ต้องมีอายุไม่ต่ำกว่า 8 ปีขึ้นไป
- และต้องมีผู้ที่ทำหน้าที่ดูแลเรื่องความปลอดภัยคอยกำกับอยู่
- หรือคอยออกคำสั่งว่าจะต้องใช้เครื่องอย่างไร และเด็กเข้าใจอันตรายที่อาจเกิดขึ้นจากการใช้เครื่องแล้ว
- ห้ามเด็กเล่นกับเครื่อง
- ห้ามต้องคอยดูแลเด็ก เพื่อให้มั่นใจว่าเด็กจะไม่ไปเล่นกับเครื่อง
- ห้ามเด็กทำความสะอาดหรือดูแลรักษาเครื่องโดยไม่มีผู้ใหญ่คอยกำกับอยู่
- เก็บวัสดุบรรจุภัณฑ์ที่เป็นแผ่นใสไว้ไกลตัวเด็ก เพราะอาจก่อให้เกิดอันตรายทำให้เด็กหายใจไม่ออกได้!

- หลังจากใช้งานแล้วทุกครั้ง และก่อนที่จะทำความสะอาดหรือดูแลรักษาทุกครั้ง ให้ปิดสวิทช์เครื่องเสียก่อน
- อันตรายจากเพลิงไหม้ ห้ามใช้เครื่องนี้ดูวัตถุที่ติดไฟหรือเรืองแสง
- ห้ามนำเครื่องไปใช้ในบริเวณที่เสี่ยงต่อการเกิดการระเบิด

⚠ การเชื่อมต่อไฟฟ้า

เชื่อมต่อเครื่องนี้กับกระแสไฟฟ้าสลับเท่านั้น แรงดันไฟฟ้าจะต้องถูกต้องตรงกับที่ระบุอยู่ในป้ายประจำเครื่อง

⚠ อันตรายจากการถูกไฟฟ้าดูด

ห้ามใช้มือที่เปียกน้ำจับปลั๊กเสียบและเต้ารับ อย่าเอาปลั๊กเสียบออกจากเต้ารับโดยการดึงที่สายไฟ ก่อนใช้งานทุกครั้ง

ให้ตรวจสอบดูก่อนว่ามีอะไรชำรุดเสียหายหรือไม่

หากสายไฟชำรุด

จะต้องให้ศูนย์บริการลูกค้าหรือช่างไฟที่มีใบอนุญาต

เปลี่ยนสายไฟทันที เพื่อหลีกเลี่ยงอันตรายที่อาจเกิดขึ้นได้

เพื่อหลีกเลี่ยงอุบัติเหตุอันเกิดจากไฟฟ้า

เราขอแนะนำให้ใช้เต้ารับแบบที่มีสวิทช์นิรภัยกันกระแสไฟฟ้ารั่ว (กระแสไฟฟ้าสูงสุดไม่เกิน 30 mA)

⚠ คำเตือน

วัสดุบางอย่าง

เมื่อถูกอากาศที่เครื่องดูดเข้าไปทำให้เป็นปฏิกิริยาอาจก่อให้เกิดไอน้ำหรือสารผสมที่ระเบิดได้!

ห้ามใช้เครื่องดูดฝุ่นต่อไปนี้เป็นอันตราย:

- แก๊ส ของเหลว และฝุ่น (ฝุ่นปฏิกิริยา) ที่เผาไหม้หรือระเบิดได้
- ผงโลหะปฏิกิริยา (เช่น อลูมิเนียม แมกนีเซียม สังกะสี) รวมกับน้ำยาทำความสะอาดที่มีฤทธิ์เป็นกรดหรือด่าง
- กรดและน้ำด่างที่ยังไม่ได้ทำให้เจือจาง
- สารอินทรีย์สำหรับทำให้เจือจาง (เช่น เบนซิน ทินเนอร์ที่ใช้ผสมสี อารีโตน น้ำมันเชื้อเพลิง เป็นต้น)

นอกจากนี้แล้ว

สารเหล่านี้ยังอาจก่อให้เกิดความเสียหายกับวัสดุที่ใช้ทำตัวเครื่องได้

สัญลักษณ์ที่ใช้ในคำแนะนำการใช้งาน

อันตราย

สำหรับอันตรายใกล้ตัว

ที่อาจทำให้บาดเจ็บสาหัสหรือถึงแก่ความตายได้

คำเตือน

สำหรับสถานการณ์ที่อาจเป็นอันตราย

ซึ่งอาจทำให้บาดเจ็บสาหัส หรือถึงแก่ความตายได้

ระวัง

สำหรับสถานการณ์ที่อาจเป็นอันตราย

ซึ่งอาจทำให้บาดเจ็บเล็กน้อย

หรือก่อให้เกิดความเสียหายต่อทรัพย์สินได้

.

รายละเอียดเกี่ยวกับเครื่อง

โปรดดูรูปภาพในหน้าที่ถัดไป!



เครื่องนี้มีจำหน่ายในแบบที่ต่างกัน 2 แบบด้วยกัน

- แบบใช้ถุงกรอง
- แบบใช้กระบอกใส่กรอง

เมื่อเปิดกล่องบรรจุเครื่อง

โปรดตรวจสอบดูว่ามีอุปกรณ์เสริมต่าง ๆ อยู่ในกล่องครบถ้วนหรือ

หรือไม่ หรือมีอะไรเสียหายหรือไม่

หากมีความเสียหายเกิดขึ้นระหว่างการขนส่ง

กรุณาติดต่อผู้จำหน่ายของท่าน

1 ข้อต่อสายดูดฝุ่น

รูป B1

→ สำหรับต่อสายดูดฝุ่นในขณะดูดฝุ่น

2 สายดูดฝุ่นพร้อมที่จับ

รูป B1

→ ใส่สายดูดฝุ่นเข้าไปในข้อต่อสายดูดฝุ่น (ปิดล็อกแบบไขว)

3 ฝาปิดลิ้ง

รูป A1

→ ดึงออกข้างนอกเมื่อต้องการเปิด

กดเข้าข้างในเมื่อต้องการปิด

4 ปุ่มสวิตช์สำหรับเปิดปิดเครื่องดูดฝุ่น (เปิด/ปิด)

รูป B3

ตำแหน่ง I: ดูดฝุ่น หรือเป่าลม

ตำแหน่ง O: ปิดสวิตช์เครื่อง

5 ที่เก็บอุปกรณ์เสริม ส่วนหัวของเครื่อง

ที่เก็บอุปกรณ์เสริมนี้

ทำให้สามารถเก็บหัวดูดไว้ที่ส่วนหัวของเครื่องได้

6 ที่หิ้ว

รูป A1

→ ใช้สำหรับหิ้วเครื่องดูดฝุ่นหรือสำหรับเอาส่วนหัวของเครื่องดูดฝุ่นออกหลังจากปลดล็อกแล้ว

7 ล้อเลื่อน

รูป A1

- ล้อเลื่อนจะมาพร้อมกับเครื่องดูดฝุ่น ให้ติดตั้งล้อเลื่อนก่อนนำเครื่องดูดฝุ่นไปใช้งาน

8 พ้อดูดฝุ่น (3 ท่อ)

รูป B1

- นำท่อดูดฝุ่นมาสวมเข้าด้วยกัน และต่อกับสายดูดฝุ่น

9 หัวดูดพื้น

รูป B1

หัวดูดพื้น ใช้สำหรับการดูดฝุ่นแบบเปียกและแบบแห้ง

10 ข้อต่อสายเป่าลม

รูป E1

- ใส่สายดูดฝุ่นเข้าในข้อต่อสายเป่าลม จากนั้นเครื่องก็สามารถเป่าลมได้

11 ตะขอเกี่ยวเก็บสายไฟ

รูป F2

โปรดดูหน้า 37

- สำหรับเก็บสายไฟ

12 สายไฟ

13 หัวดูดชอก

สำหรับดูดหัวมุม ชอก เครื่องทำความอุ่น และบริเวณที่เข้าถึงยาก

14 ถุงกรองแบบโฟม

รูป C1

- สำหรับการดูดฝุ่นแบบเปียกให้นำถุงกรองแบบโฟมสวมทับถังกรอง

หมายเหตุ: ต้องดูว่าถุงกรองแบบโฟมสวมทับแน่นดีแล้ว

15 ครอบอกไส้กรอง

(แล้วแต่แบบ)

รูป D1

- สำหรับการดูดฝุ่นหยาบ ให้ใช้ครอบอกไส้กรอง

16 ถุงกรอง

(แล้วแต่แบบ)

รูป D1

- สำหรับการดูดฝุ่นหยาบ ให้ใช้ถุงกรอง
- หมายเหตุ: ขณะประกอบถุงกรองเข้ากับเครื่องดูดฝุ่น ต้องระวังอย่าให้เครื่องดูดเอาอากาศที่ยังไม่ได้กรองเข้าไปได้

17 ถุงกรอง

รูป A2

รูป D2

หมายเหตุ: ห้ามใช้ถุงกรองสำหรับการดูดฝุ่นแบบเปียก!

- **คำแนะนำ:** สำหรับการดูดอนุภาคฝุ่น ควรใช้ถุงกรองดูดฝุ่น ฝุ่นที่ถูกดูดเข้าไปในถุงกรองสามารถกำจัดได้ง่ายกว่า

วิธีใช้

⚠ ระวัง

เมื่อดูดฝุ่นแบบเปียก ให้ใช้ถุงกรองแบบโฟมเสมอ.
เมื่อดูดฝุ่นแบบแห้ง ให้ใช้ถุงกรอง หรือครอบอกไส้กรองเสมอ

ก่อนจะเริ่มใช้งาน

รูป A1

- ก่อนจะเริ่มใช้งานให้นำชิ้นส่วนต่างๆ ที่แนบมากับเครื่อง มาประกอบเข้าด้วยกันก่อน

เริ่มใช้งาน

รูป B1

ติดตั้งอุปกรณ์เสริม

รูป B2

เสียบปลั๊ก

รูป B3

เปิดสวิตช์เครื่อง

การดูดฝุ่นแบบแห้ง

⚠ระวัง

ก่อนที่จะเริ่มใช้งาน

ตรวจสอบดูก่อนว่าถุงกรองชำรุดหรือไม่

ถ้าชำรุดให้เปลี่ยนเสียก่อน

รูป A2

→ คำแนะนำ: ใช้ถุงกรอง เมื่อต้องการดูดอนุภาคฝุ่น

หมายเหตุถุงกรอง

- ถุงกรองจะจุได้แค่น้อยมขึ้นอยู่กับสิ่งสกปรกที่เครื่องดูดฝุ่นดูดเข้าไป
- หากใช้เครื่องดูดฝุ่นดูดอนุภาคฝุ่น ทราาย ฯลฯ ควรเปลี่ยนถุงกรองบ่อยๆ
- ถุงที่อัดแน่นเกินไปอาจแตกได้ ดังนั้นจึงควรเปลี่ยนถุงก่อนที่ถุงจะอัดแน่นเกินไป!

⚠ระวัง

ในการดูดที่ไถ่ไถ่เย็น จะต้องใช้เครื่องแยกก่อน

หมายเลขประจำสินค้า

แบบพื้นฐาน: 2.863-139.0,

แบบพรีเมียม: 2.863-161.0.

การดูดฝุ่นแบบเปียก

⚠คำเตือน

หากมีฟองเกิดขึ้น หรือมีของเหลวไหลออกมา

ให้ปิดสวิตช์เครื่อง หรือดึงปลั๊กไฟออกทันที!

ห้ามใช้ถุงกรอง!

หมายเหตุ: หากถังเต็ม ลูกลอยจะปิดทางดูด และเครื่องจะทำงานโดยความเร็วการหมุนที่สูงขึ้น

ให้ปิดเครื่องทันทีและสิ่งที่อยู่ในถังออก

→ สำหรับการดูดฝุ่นแบบเปียก

ให้เอาถุงกรองแบบโฟมสวมทับถังกรอง

หมายเหตุ: ต้องดูว่าถุงกรองแบบโฟมสวมทับแน่นดีแล้ว

การเป่าลม

ใช้ในการทำความสะอาดบริเวณที่เข้าถึงได้ยาก

หรือในที่ที่ไม่สามารถจะใช้วิธีดูดได้ เช่น

เมื่อต้องการเอาใบไม้ออกจากร่องกวาด เป็นต้น

รูป E1

→ ใส่สายดูดฝุ่นเข้าในข้อต่อสายเป่าลม จากนั้นเครื่องก็สามารถเป่าลมได้

พักการใช้งาน

→ ปิดสวิตช์เครื่อง

หยุดการใช้งาน

→ ปิดสวิตช์เครื่อง และถอดปลั๊กไฟ

สิ่งที่เก็บบรรจุอยู่ในถังออก

รูป F1

โปรดดู หน้า 37

→ เอาส่วนหัวของเครื่องออก แล้วสิ่งที่บรรจุอยู่ในถังออกให้หมด

การเก็บอุปกรณ์

รูป F2

โปรดดู หน้า 37

→ เก็บสายไฟและอุปกรณ์เสริมเข้าในเครื่อง นำเครื่องไปเก็บในช่องที่แห้ง

การดูแลรักษา

⚠️ อันตราย

ก่อนจะทำการดูแลรักษาเครื่อง ให้ปิดสวิตช์เครื่อง และดึงปลั๊กไฟออกเสียก่อน

การซ่อมแซมหรือกระทำการใดๆกับชิ้นส่วนไฟฟ้าของเครื่อง จะต้องกระทำโดยศูนย์บริการลูกค้าที่ได้รับแต่งตั้งอย่างเป็นทางการเท่านั้น

⚠️ คำเตือน

ห้ามนำสารซักฟอก

หรือน้ำยาล้างแก้วหรือน้ำยาทำความสะอาดเนกประสงค์

มาใช้กับเครื่อง! อย่างนำเครื่องไปจุ่มน้ำเป็นอันขาด

➔ การดูแลรักษาเครื่องและอุปกรณ์เสริมที่ทำการตลาด

ให้กระทำโดยใช้แผ่นทำความสะอาดที่ผลิตจากใยสังเคราะห์ซึ่งมีขายตามร้านค้าทั่วไป

➔ ให้ใช้น้ำล้างถังและอุปกรณ์เสริม แล้วเช็ดให้แห้ง ก่อนจะนำไปใช้ครั้งต่อไป

รูป G1

โปรดดู หน้า 37

➔ ทำความสะอาดตุ๊กกรองแบบใหม่ โดยเปิดน้ำไว้แล้วนำตุ๊กกรองไปล้างให้สะอาด ห้ามซักฟอกหรือใช้แปรงถู ก่อนจะนำไปติดตั้ง ต้องให้แห้งสนิทเสียก่อน

การแก้ไขปัญหา

ประสิทธิภาพในการดูดฝุ่นลดลง

ถ้าประสิทธิภาพในการดูดฝุ่นของเครื่องลดลง กรุณาตรวจสอบหัวข้อต่อไปนี้

รูป B1

➔ อุปกรณ์เสริม สายดูดฝุ่น หรือท่อน้ำฝุ่น อุดตัน ให้ใช้ไม้สอดเข้าไปเพื่อเอาสิ่งอุดตันออก

รูป A2

➔ ตุ๊กกรองเต็ม เปลี่ยนตุ๊กกรองใหม่

รูป G1

โปรดดู หน้า 37

➔ ทำความสะอาดตุ๊กกรองแบบโฟม โดยเปิดน้ำไว้ แล้วนำตุ๊กกรองไปล้างให้สะอาด ก่อนจะนำไปติดตั้ง ต้องให้แห้งสนิทเสียก่อน

➔ ตุ๊กกรองสกปรก ให้เคาะตุ๊กกรอง

➔ กระบอกลักกรองสกปรก ให้เคาะกระบอกลักกรอง

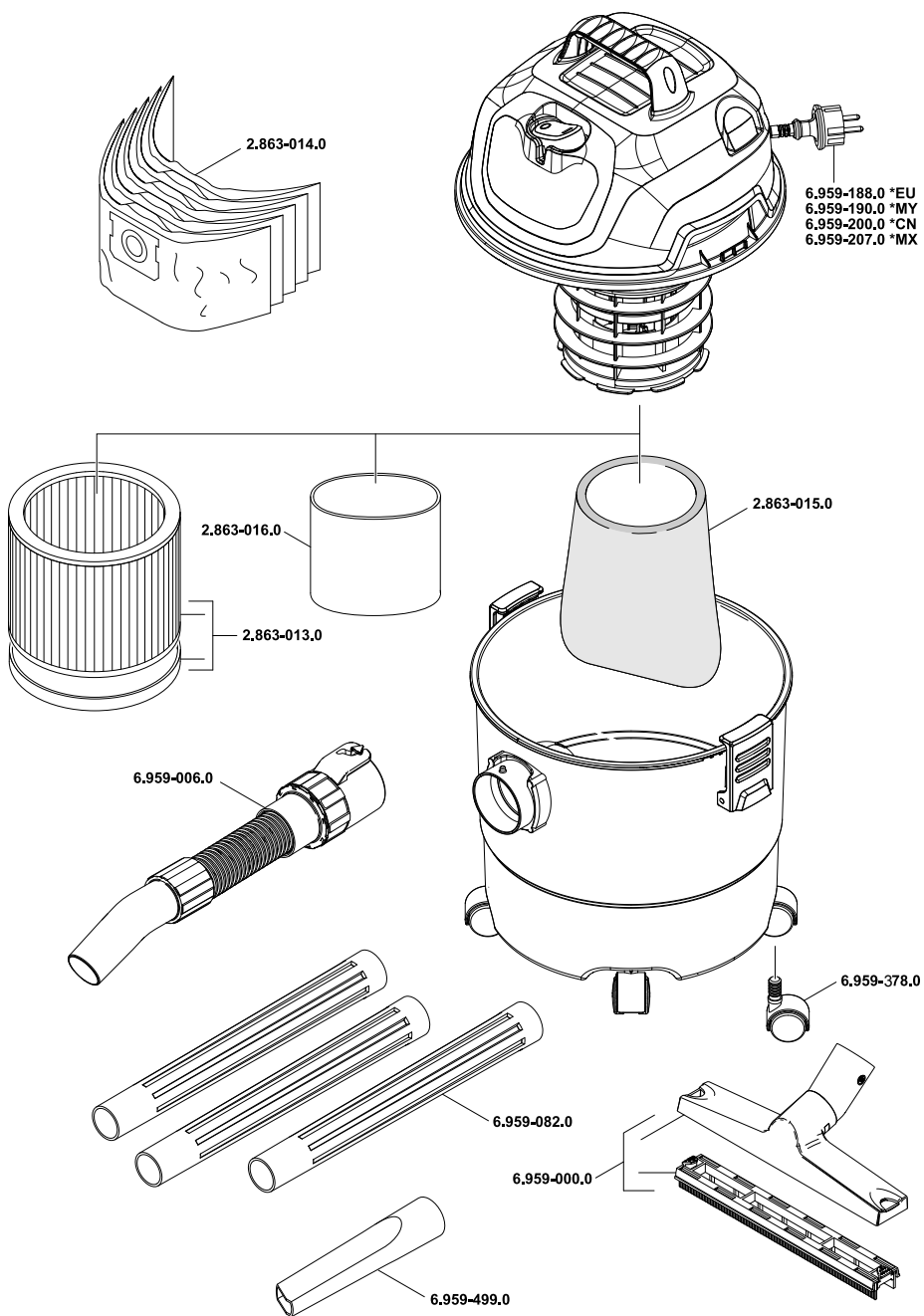
➔ หากกระบอกลักกรองชำรุด

ให้เปลี่ยนกระบอกลักกรองใหม่

ข้อมูลทางเทคนิค

	1.098-300.0 1.098-304.0 1.098-306.0	1.098-303.0	1.098-305.0	
แรงดันไฟฟ้า	220 - 240	220	120-127	โวลต์
ความถี่	1~50/60	1~50	1~50/60	เฮิรตซ์
ปริมาณความจุของภาชนะ		15		ลิตร
ปริมาณน้ำที่รับได้เมื่อใช้ที่จับ		9,0		ลิตร
ปริมาณน้ำที่รับได้เมื่อใช้หัวดูดพื้น		6,0		ลิตร
กำลัง Pnom	1000	900	1200	วัตต์
สายไฟ	H 05VV-F2x0,75	53RVV 2x0,75	SJTW-16AWG-2C 105°C	
น้ำหนัก (ไม่รวมอุปกรณ์เสริม)		3,8		กิโลกรัม
ระดับเสียงรบกวน (EN 60704-2-1)		75	77	เดซิเบล (A)

ข้อมูลทางเทคนิคอาจเปลี่ยนแปลงได้!



F 1



F 2



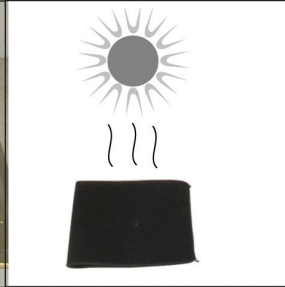
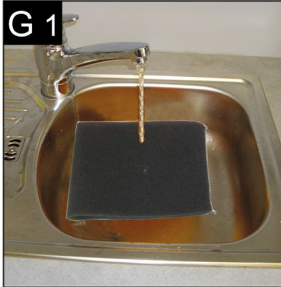
G 1



G 1



G 1





THANK YOU!
MERCI! DANKE! ¡GRACIAS!



Registrieren Sie Ihr Produkt und profitieren Sie von vielen Vorteilen.

Register your product and benefit from many advantages.

Enregistrez votre produit et bénéficiez de nombreux avantages.

Registre su producto y aproveche de muchas ventajas.

www.kaercher.com/welcome



Bewerten Sie Ihr Produkt und sagen Sie uns Ihre Meinung.

Rate your product and tell us your opinion.

Évaluer votre produit et dites-nous votre opinion.

Reseñe su producto y díganos su opinión.



www.kaercher.com/dealersearch

Alfred Kärcher SE & Co. KG

Alfred-Kärcher-Str. 28-40

71364 Winnenden (Germany)

Tel.: +49 7195 14-0

Fax: +49 7195 14-2212

